

Created by **Stopponi, Fabio**

Denomination  
**DIMENSIONAL DRAWING**

Lang **EN**  Sheet **1/2**

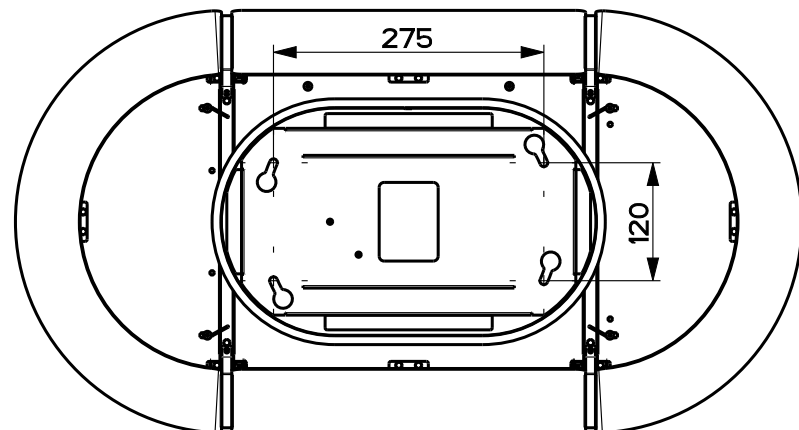
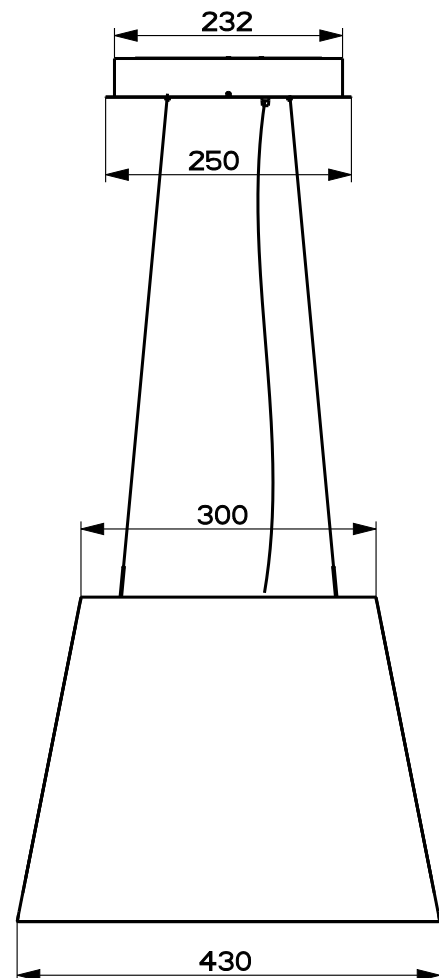
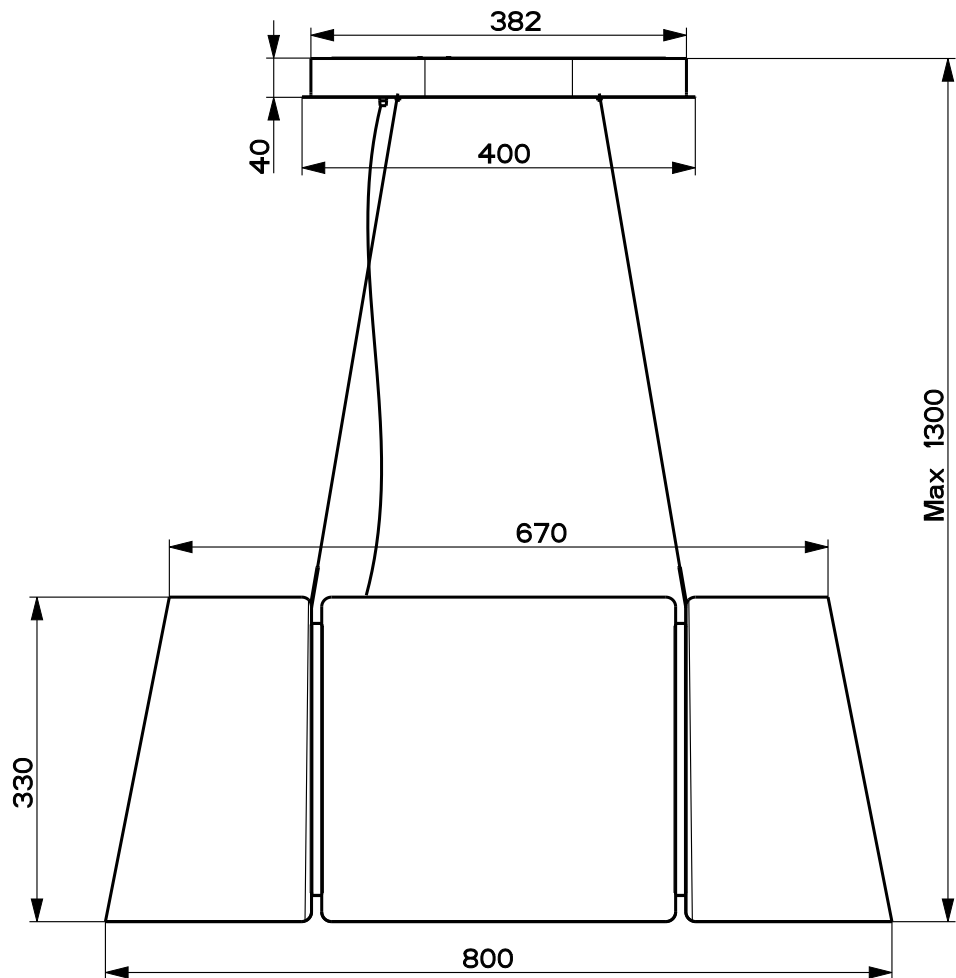
Modif.by **Stopponi, Fabio**


Approved by **Palazzi, Walter**

Approval date **27-Apr-2023**

Doc. status **Released**

Drawing N.  
**345022\_711** Rev  
**01**



Created by <b>Stopponi, Fabio</b>	
Denomination <b>DIMENSIONAL DRAWING</b>	
Lang <b>EN</b> 	Sheet <b>2/2</b>
Modif.by <b>Stopponi, Fabio</b>	
Approved by <b>Palazzi, Walter</b>	
Approval date <b>27-Apr-2023</b>	
Doc. status <b>Released</b>	
Drawing N. <b>345022_711</b>	Rev <b>01</b>