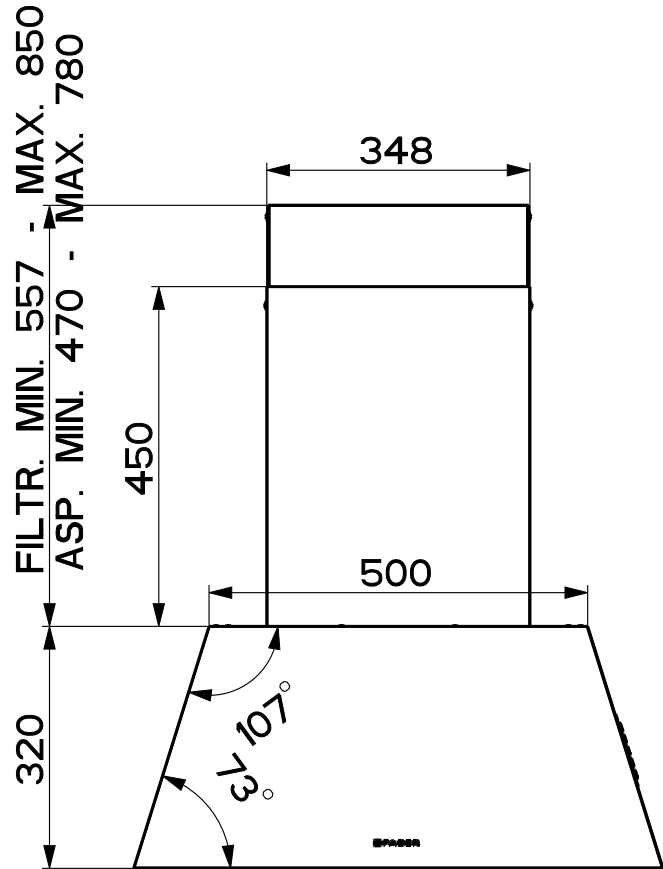
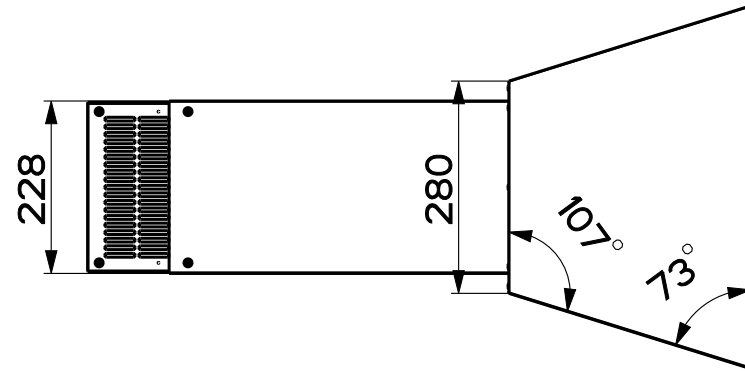
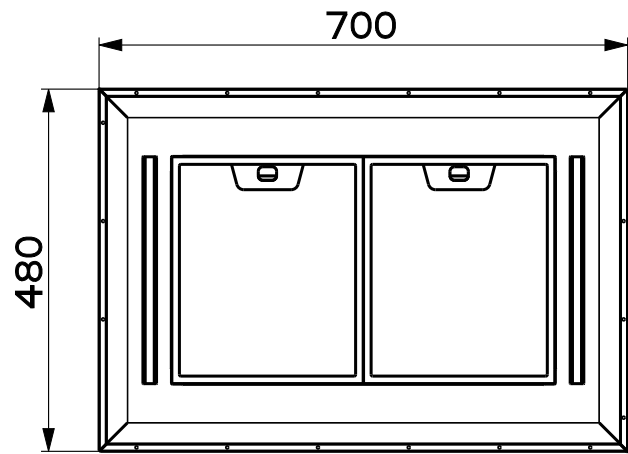


Created by Bellucci, Daniele	
Denomination DIMENSIONAL DRAWING 70x48	
Lang EN	Sheet 1/2
Modif.by Bellucci, Daniele	
Approved by Bellucci, Daniele	
Approval date 20-Jan-2022	
Doc. status Released	
Drawing N. 321015_742	Rev 01



Created by Bellucci, Daniele	
Denomination DIMENSIONAL DRAWING 70x48	
Lang EN	Sheet 2/2
Modif.by Bellucci, Daniele	
Approved by Bellucci, Daniele	
Approval date 20-Jan-2022	
Doc. status Released	
Drawing N. 321015_742	Rev 01