

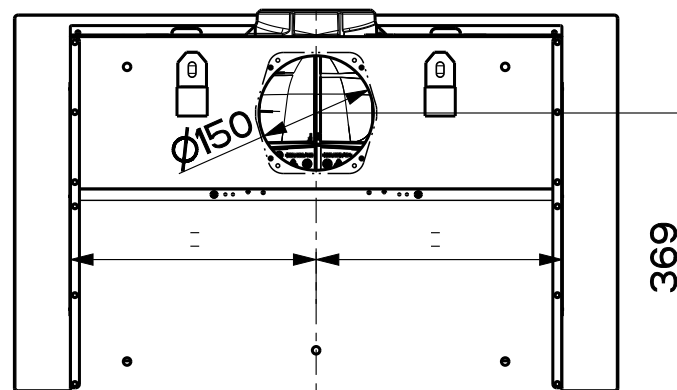
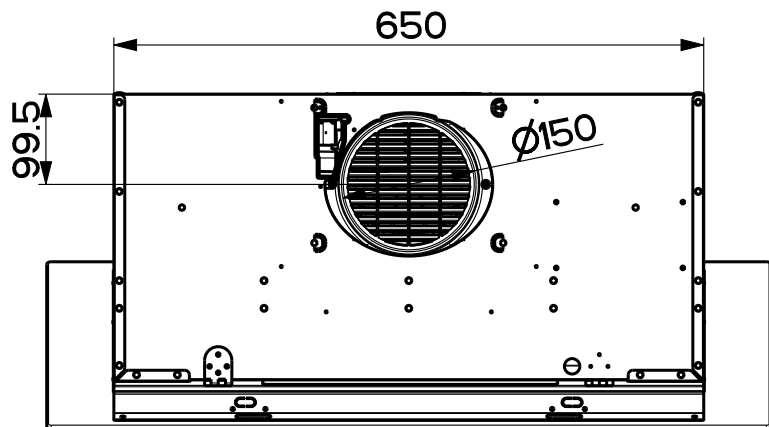
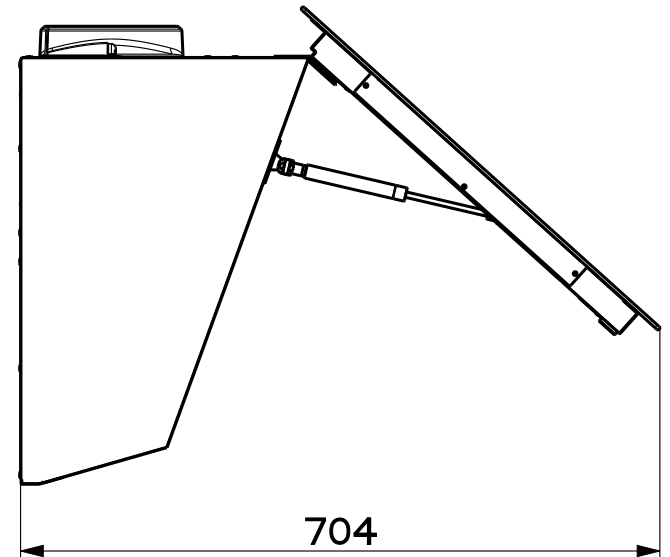
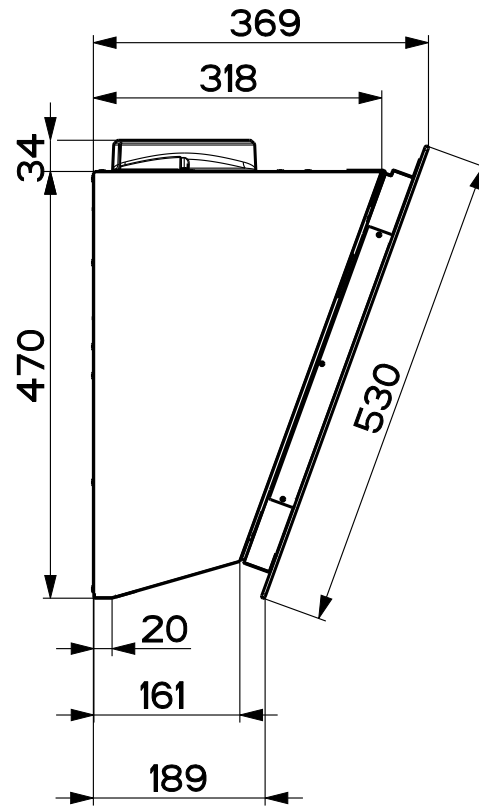
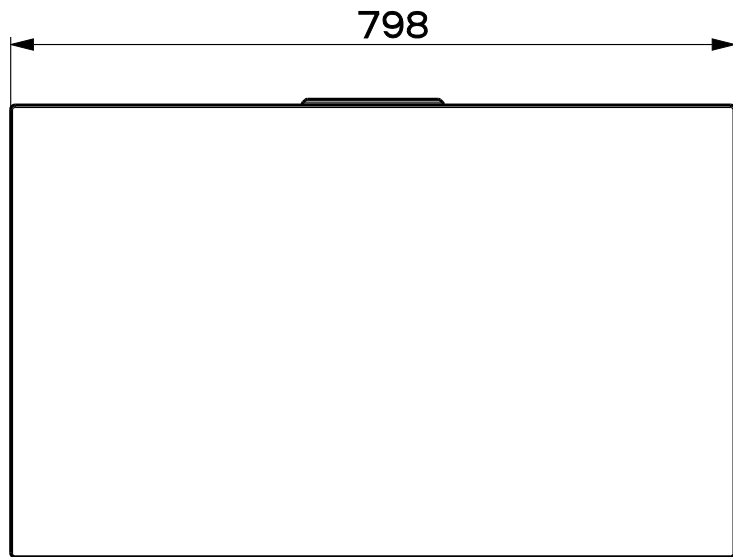



Created by <b>Latini, Francesco</b>	
Denomination <b>DIMENSIONAL DRAWING PURE-TRUE SG</b>	
Lang <b>EN</b>  	Sheet <b>1/2</b>
Modif.by	
Approved by <b>Bellucci, Daniele</b>	
Approval date <b>11-Apr-2023</b>	
Doc. status <b>Released</b>	
Drawing N. <b>330071_757</b>	Rev <b>01</b>



Created by <b>Latini, Francesco</b>	
Denomination	
<b>DIMENSIONAL DRAWING PURE-TRUE SG</b>	
Lang <b>EN</b> 	Sheet <b>2/2</b>
Modif.by	
Approved by <b>Bellucci, Daniele</b>	
Approval date <b>11-Apr-2023</b>	
Doc. status <b>Released</b>	
Drawing N. <b>330071_757</b>	Rev <b>01</b>